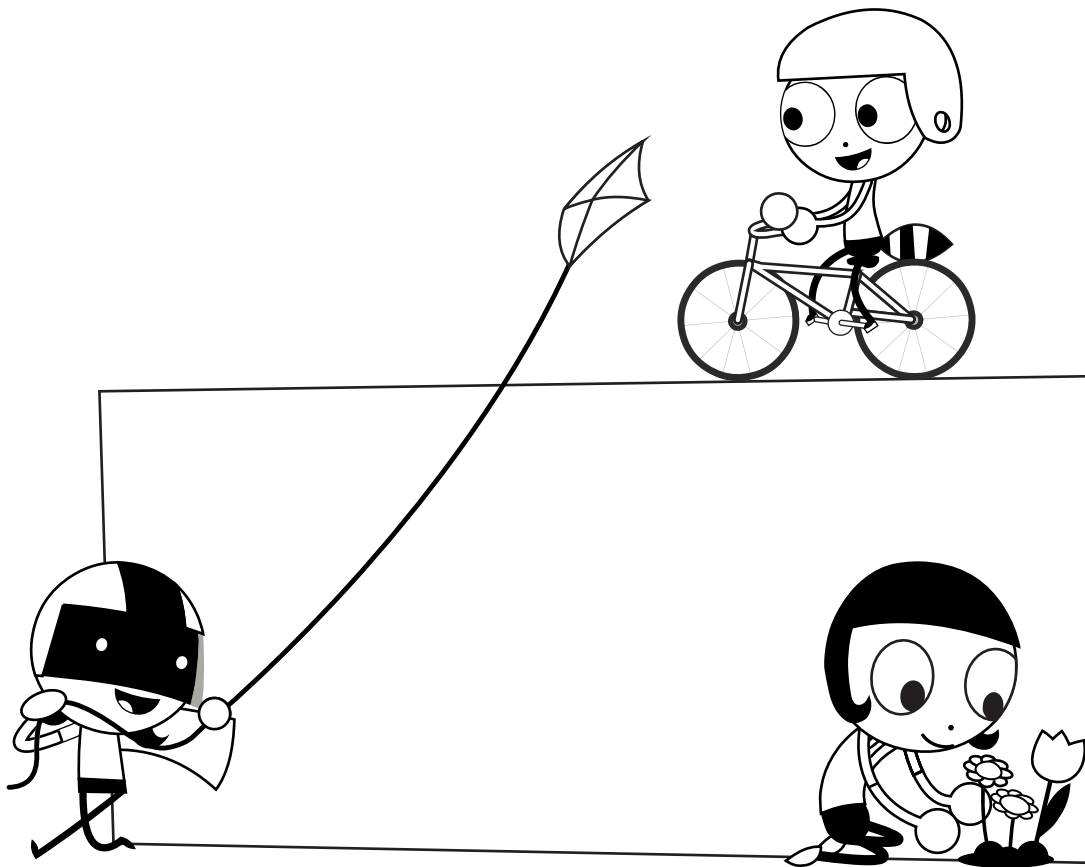


Learn at Home with PBS KIDS

Act It Out

BINGO





Learn at Home with PBS KIDS

**Week of
January 11th**

Hello, Families!

Welcome to **Learn Along Bingo!** We're happy to share PBS KIDS activities with you and to work with PBS member stations and community partners across the country to help support learning at home. With Learn Along Bingo, children can view, explore, and play as they learn alongside their PBS KIDS friends on the PBS KIDS 24/7 channel. We hope your family will use it to inspire learning each and every day.

It's Act It Out Week!

In this packet, there are printable activities and everyday learning ideas for you and your child to choose from. As you complete each square, mark it off to celebrate the learning.

Learning Spotlight: Dramatic Play

This week, we're learning that dramatic play is important because we it helps us to develop language and communication skills as we learn about the world and those in it.

Show What You Know: The Amazing Clubhouse

The last activity in this packet is a perfect way for children to explore their imagination using a scene and puppets.

Tune in: Watch CLIFFORD THE BIG RED DOG at 9:30am on Tuesday, January 12th on the PBS KIDS 24/7 channel.

Ready for more? Watch your favorite PBS KIDS shows on the 24/7 channel and live stream at pbskids.org/video/livetv or on your local PBS station.

Happy learning!
PBS KIDS



Find free activities, articles and tips to support at-home learning on pbskidsforparents.org

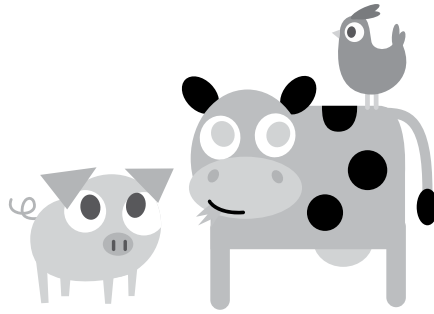
PBS KIDS and the PBS KIDS Logo are registered trademarks of Public Broadcasting Service. Used with permission.



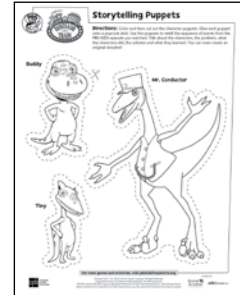
Act It Out BINGO



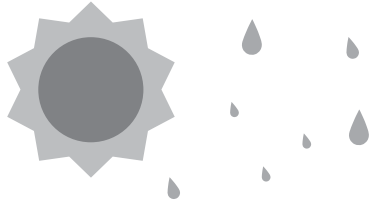
**Act Like
an Animal**



**Name 3 farm animals.
Can you act like them?**



**Dinosaur Train
Puppets**



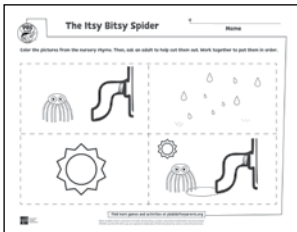
**Rise like the sun
and fall down to the
ground like the rain.**



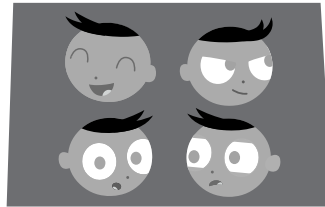
**Elinor's Amazing
Clubhouse**



**Use recycled boxes to
make a stage for
a puppet theater.**



The Itsy Bitsy Spider



**Make props to create
grocery store.**



**Sesame Street
Finger Puppets**



PreK-K

Find more games and activities at pbs.org/parents/learn-at-home



PBS KIDS and the PBS KIDS Logo are registered trademarks of Public Broadcasting Service. Used with permission. Made available by the Corporation for Public Broadcasting, a private corporation funded by the American people.



Act Like An Animal

Instructions: Animals communicate with each other and move around in many different ways. Color the animals and then cut along the dashed lines. Flip all of the cards face down on a flat surface. One at a time, choose a card and show your creativity as you act like the animal. You can even draw and write directions for your own animal cards. Invite others to play with you and ask them to guess which animal you are!

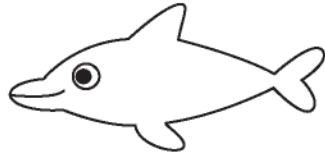


Waddle like a



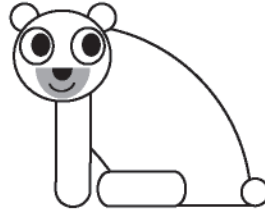
penguin.

Make a clicking sound like a



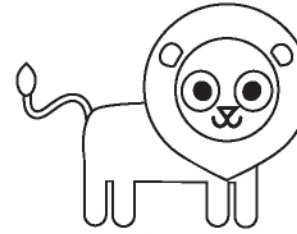
dolphin.

Growl like a



bear.

Roar like a



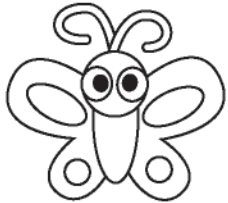
lion.

Hop like a



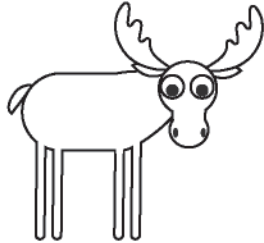
rabbit.

Flutter like a



butterfly.

Trot like a



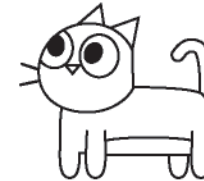
moose.

Hoot like an



owl.

Arch your back like a



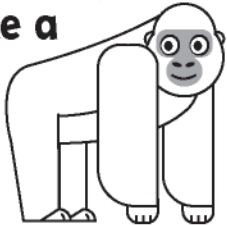
cat.

Scamper across the ground like a



lizard.

Thump your chest like a



gorilla.

Leap like a



tiger.

Kick your legs like a



camel.

Bark like a



dog.

Climb like a



koala.

Find more games and activities at pbskidsforparents.org



Corporation
for Public
Broadcasting

PBS KIDS and the PBS KIDS Logo are registered trademarks of Public Broadcasting Service. Used with permission.
Made available by the Corporation for Public Broadcasting, a private corporation funded by the American people.



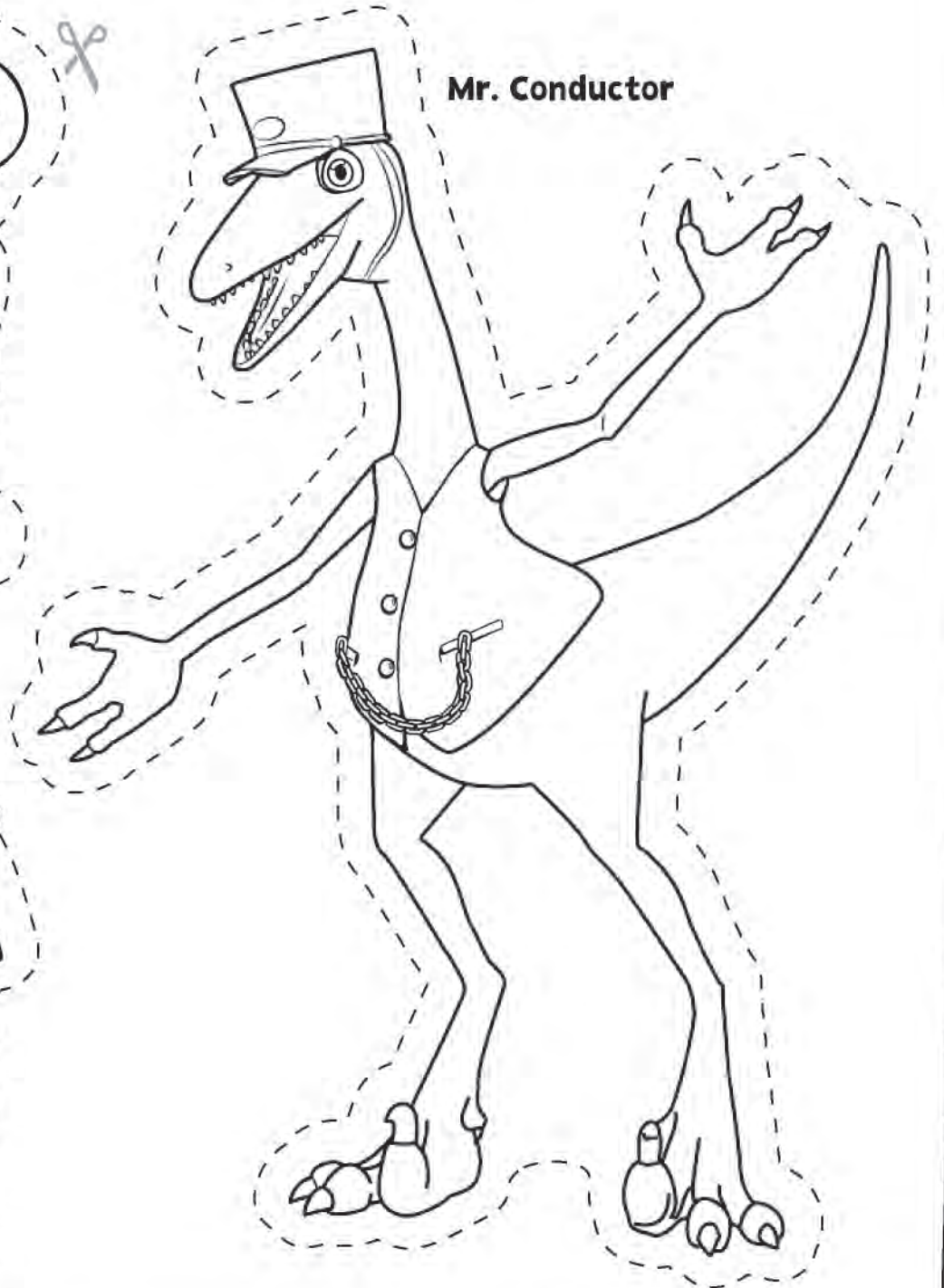
Storytelling Puppets

Directions: Color and then cut out the character puppets. Glue each puppet onto a popsicle stick. Use the puppets to retell the sequence of events from the PBS KIDS episode you watched. Talk about the characters, the problem, what the characters did, the solution and what they learned. You can even create an original storyline!

Buddy



Mr. Conductor



Tiny



For more games and activities, visit pbskidsforparents.org

Funded by:



Dinosaur Train™ & © 2020, The Jim Henson Company. All Rights Reserved.
Corporate funding is provided by Kiddie Academy® and ABCmouse.com.
PBS KIDS and the PBS KIDS Logo are registered trademarks of Public Broadcasting Service. Used with permission.
Made available by the Corporation for Public Broadcasting, a private corporation funded by the American people.



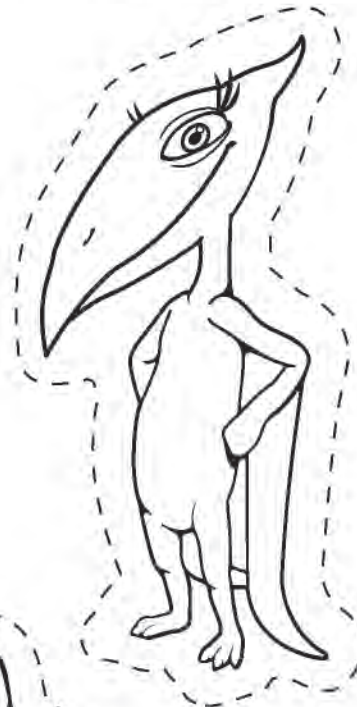


Storytelling Puppets

Directions: Color and then cut out the character puppets. Glue each puppet onto a popsicle stick. Use the puppets to retell the sequence of events from the PBS KIDS episode you watched. Talk about the characters, the problem, what the characters did, the solution and what they learned. You can even create an original storyline!



Don



Shiny



Tank Triceratops

For more games and activities, visit pbskidsforparents.org



Dinosaur Train™ & © 2020, The Jim Henson Company. All Rights Reserved.
Corporate funding is provided by Kiddie Academy® and ABCmouse.com.
PBS KIDS and the PBS KIDS Logo are registered trademarks of Public Broadcasting Service. Used with permission.
Made available by the Corporation for Public Broadcasting, a private corporation funded by the American people.



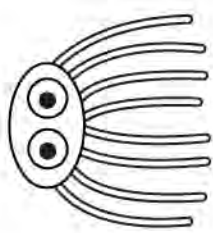

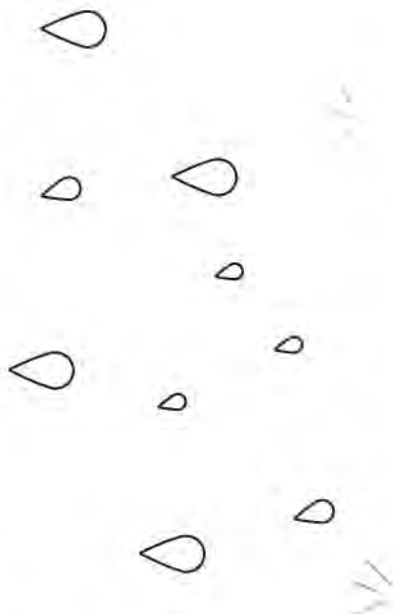
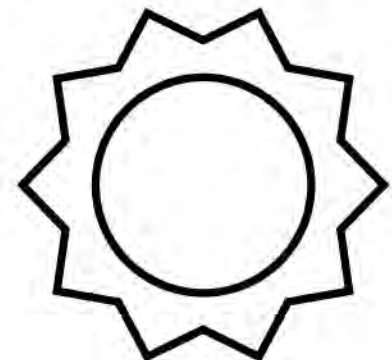

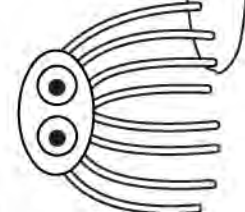
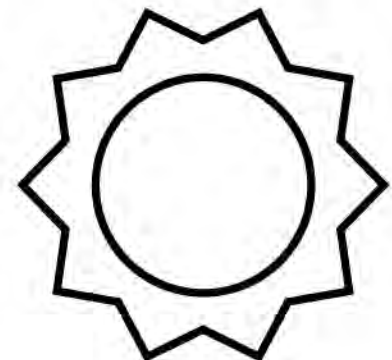


Funded by:



The Itsy Bitsy Spider

Name _____

Color the pictures from the nursery rhyme. Then, ask an adult to help cut them out. Work together to put them in order.

Find more games and activities at pbskidsforparents.org



Made available by the Corporation for Public Broadcasting, a private corporation funded by the American people. PBS KIDS and the PBS KIDS Logo are registered trademarks of Public Broadcasting Service. Used with permission.



The Itsy Bitsy Spider

Name _____

--	--

first

--	--

second

--	--

third

--	--

fourth



Find more games and activities at pbskidsforparents.org

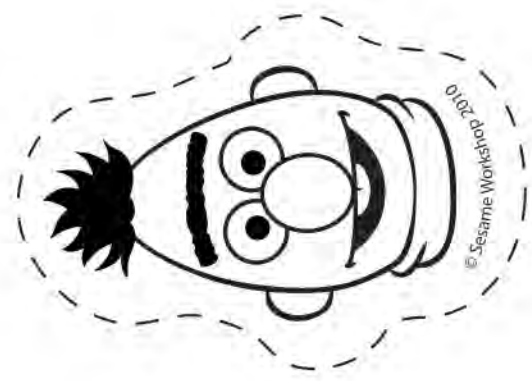


Made available by the Corporation for Public Broadcasting, a private corporation funded by the American people. PBS KIDS and the PBS KIDS Logo are registered trademarks of Public Broadcasting Service. Used with permission.



Muppet Finger Puppets

Color each muppet. Then, carefully cut along the dotted line. Once your muppet is cut out, tape it to your finger for your very own finger puppet!





Muppet Finger Puppets

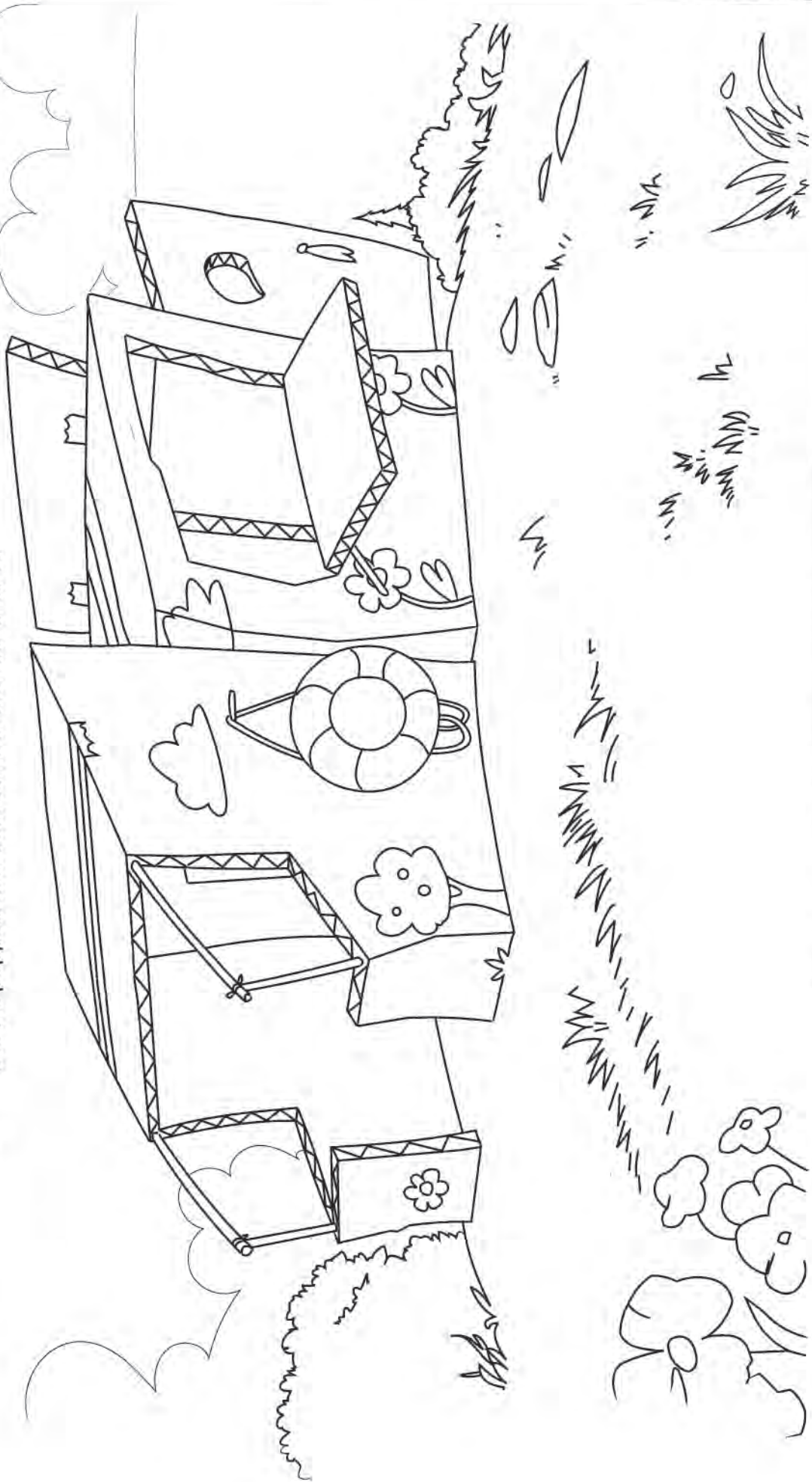
Color each muppet. Then, carefully cut along the dotted line. Once your muppet is cut out, tape it to your finger for your very own finger puppet!



Name _____

The Amazing Clubhouse

Elinor, Ari, and Olive enjoy exploring. They have a special clubhouse where they meet with the Exploring Club members to plan their adventures. They take care of their clubhouse so that they can all enjoy it. Use the puppets to act out some of their adventures!



Find more games and activities at pbskidsforparents.org

Funding for ELINOR WONDERS WHY is provided by a Ready To Learn Grant from the Department of Education; the Corporation for Public Broadcasting, a private corporation funded by the American People; and by public television viewers. The contents of this document was developed under a grant from the Department of Education. However, those contents do not necessarily represent the policy of the Department of Education, and you should not assume endorsement by the Federal Government. The project is funded by a Ready To Learn grant (PE/AWARD No. U295A150003, CFDA No. 84.295A) provided by the Department of Education to the Corporation for Public Broadcasting. ©2020 SHOE Ink, LLC. All Rights Reserved. PBS KIDS and the PBS KIDS Logo are registered trademarks of Public Broadcasting Service. Used with permission. Made available by the Corporation for Public Broadcasting, a private corporation funded by the American people.

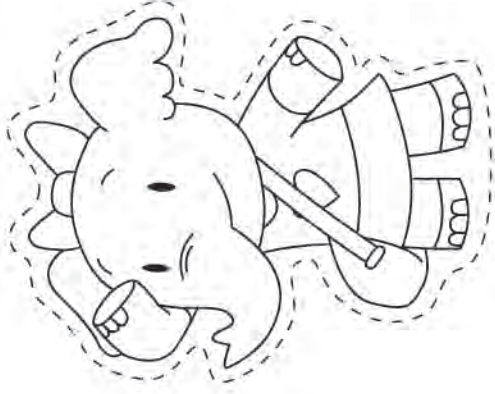
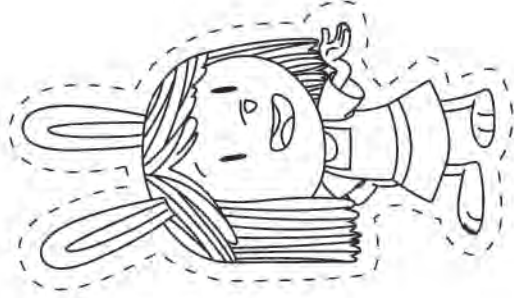
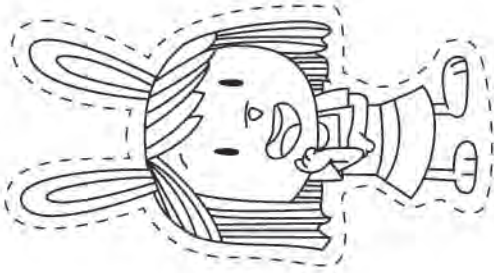
Funded by:



Produced by:



The Amazing Clubhouse Puppets



Produced by:



Funded by:



[Find more games and activities at pbskidsforparents.org](http://pbskidsforparents.org)

Funding for ELINOR WONDERS WHY is provided by a Ready To Learn Grant from the Department of Education; the Corporation for Public Broadcasting, a private corporation funded by the American People; and by public television viewers. The contents of this document was developed under a grant from the Department of Education. However, those contents do not necessarily represent the policy of the Department of Education, and you should not assume endorsement by the Federal Government. The project is funded by a Ready To Learn grant (P/AWARD No. U795A150003, CFDA No. 84.295A) provided by the Department of Education to the Corporation for Public Broadcasting. ©2020 SHOE Ink, LLC. All Rights Reserved. PBS KIDS and the PBS KIDS Logo are registered trademarks of Public Broadcasting Service. Used with permission. Made available by the Corporation for Public Broadcasting, a private corporation funded by the American people.



Learn at Home with PBS KIDS

Schedule Begins October 5, 2020

Explore reading, math, science, life lessons, and more on the PBS KIDS 24/7 channel and live stream! The TV schedule below offers you and your child a chance to learn anytime alongside your favorite PBS KIDS characters.



TIME (M-F)	SHOW	GRADE	LEARNING GOAL
6/5c am	Splash and Bubbles	PK-K	Science
6:30/5:30c am	WordWorld	PK-K	Literacy
7/6c am	Peg + Cat	PK-K	Math
7:30/6:30c am	Peep and the Big Wide World	PK-K	Science
8/7c am	Sid the Science Kid	PK-K	Science
8:30/7:30c am	Super WHY!	PK-K	Literacy
9/8c am	Pinkalicious & Peterrific	PK-1	The Arts
9:30/8:30c am	Clifford the Big Red Dog	PK-K	Social & Emotional Learning, Literacy
10/9c am	Let's Go Luna!	K-2	Social Studies
10:30/9:30c am	Dinosaur Train	PK-K	Science
11/10c am	The Cat in the Hat Knows a Lot About That!	PK-1	Science & Engineering
11:30/10:30c am	Martha Speaks	K-2	Literacy
12 pm/11c am	Nature Cat	K-3	Science
12:30 pm/11:30c am	Ready Jet Go!	K-2	Science & Engineering
1/12c pm	Arthur	K-2	Social & Emotional Learning
1:30/12:30c pm	Odd Squad	K-2	Math
2/1c pm	Cyberchase	1-5	Math
2:30/1:30c pm	Molly of Denali	K-2	Literacy
3/2c pm	Pinkalicious & Peterrific	PK-1	The Arts
3:30/2:30c pm	Elinor Wonders Why	PK-K	Science & Engineering
4/3c pm	Sesame Street	PK-K	Literacy, Math, Social & Emotional Learning
4:30/3:30c pm	Daniel Tiger's Neighborhood	PK-K	Social & Emotional Learning
5/4c pm	Curious George	PK-K	Math, Science & Engineering
5:30/4:30c pm	Curious George	PK-K	Math, Science & Engineering
6/5c pm	Wild Kratts	K-2	Science
6:30/5:30c pm	Wild Kratts	K-2	Science

Access FREE, at-home learning activities, tips, and more on pbskidsforparents.org



Learn at Home with PBS KIDS

Play and learn anytime and anywhere with free apps from PBS KIDS! Use the chart below to find the app that aligns to your child's grade, learning goal, and favorite PBS KIDS show - then download it on your on your mobile or tablet device to play online, offline, or anytime.

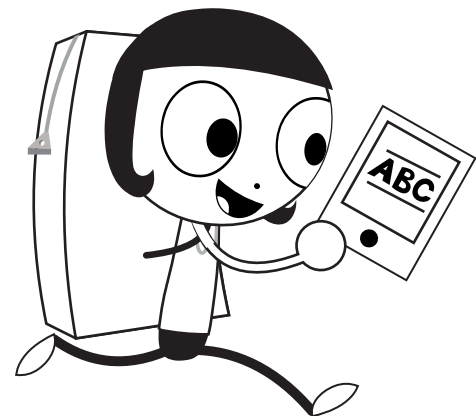
Apps for Social & Emotional Learning

Daniel Tiger for Parents	PK-K	Social & Emotional Learning
PBS KIDS Games app	K-2	Multiple Learning Goals
PBS KIDS Video app	K-2	Multiple Learning Goals



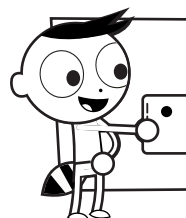
Apps for Literacy Learning

Dinosaur Train A to Z	PK-K	Literacy, Science
Molly of Denali	K-2	Literacy
PBS KIDS Games app	K-2	Multiple Learning Goals
PBS KIDS Video app	K-2	Multiple Learning Goals



Apps for STEM Learning (Science, Technology, Engineering & Math)

PBS Parents Play & Learn	PK-K	Literacy, Math	Ready Jet Go! Space Explorer	K-2	Science
Play & Learn Engineering	PK-K	Science and Engineering	Ready Jet Go! Space Scouts	K-2	Science and Engineering
Play & Learn Science	PK-K	Science	Nature Cat's Great Outdoors	K-3	Science
Splash and Bubbles for Parents	PK-K	Science	PBS KIDS ScratchJr	1-2	Coding
Splash and Bubbles Ocean Adventure	PK-K	Science	Outdoor Family Fun with Plum	1-3	Science and Engineering
The Cat in the Hat Builds That!	PK-K	Science and Engineering	Cyberchase Shape Quest	1-5	Math, Science
The Cat in the Hat Invents	PK-K	Science and Engineering	PBS KIDS Games app	K-2	Multiple Learning Goals
Jet's Bot Builder: Robot Games	K-2	Science and Engineering	PBS KIDS Video app	K-2	Multiple Learning Goals
Photo Stuff with Ruff	K-2	Science			



pbskids.org/apps

